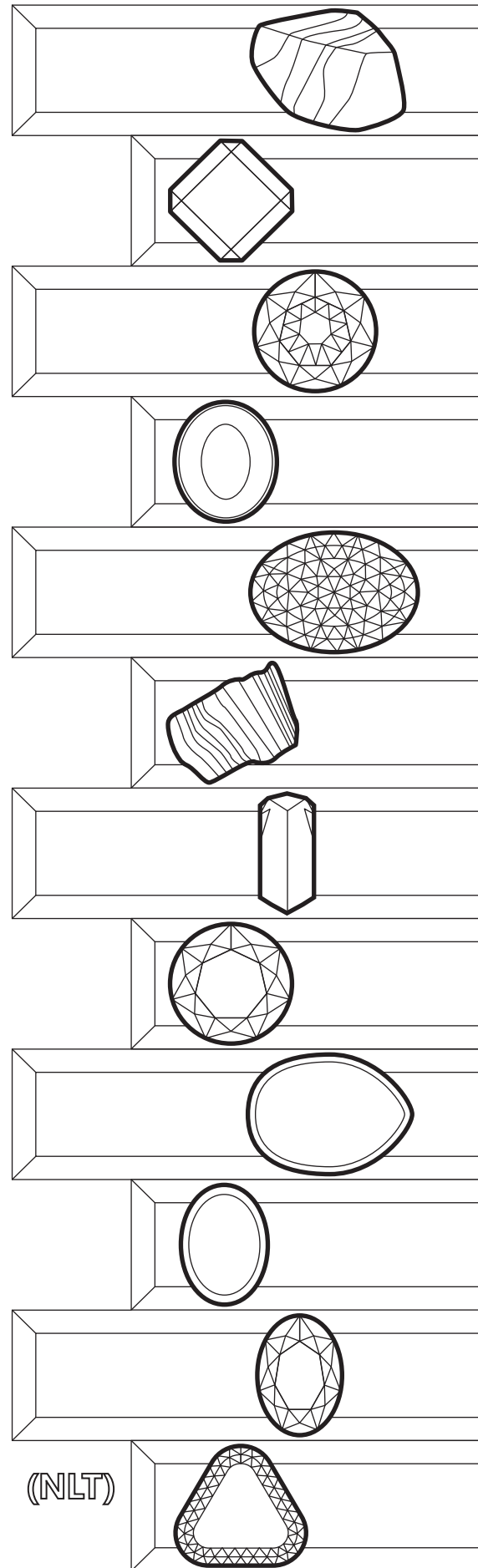
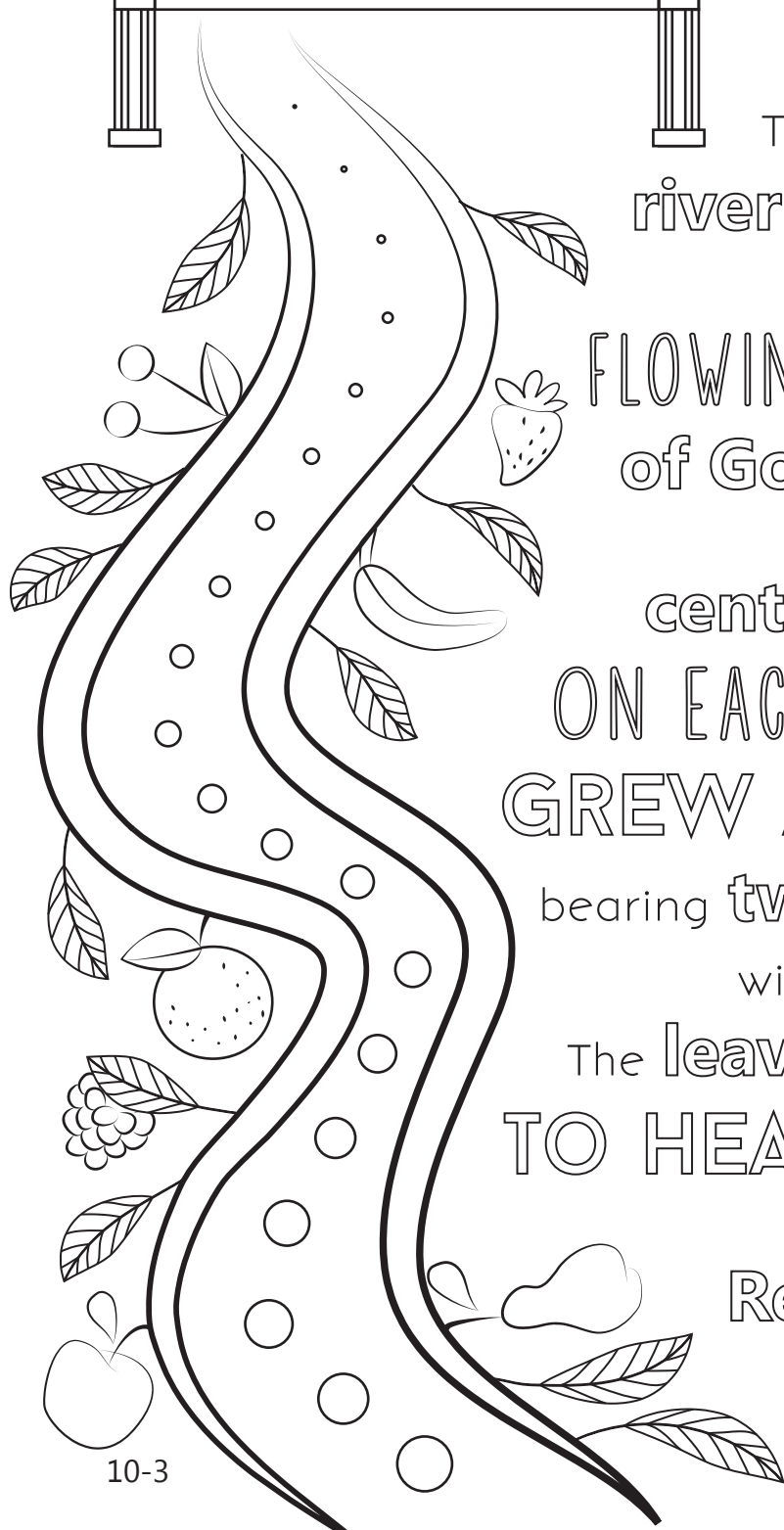
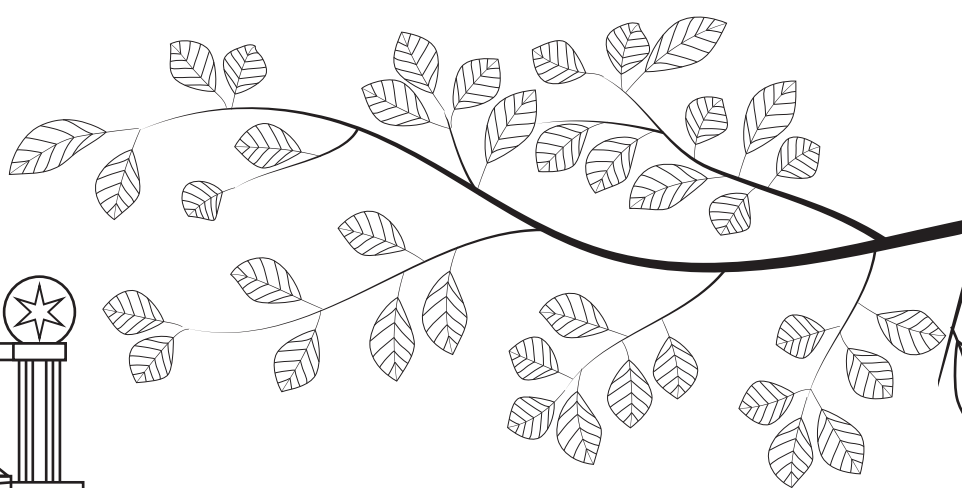
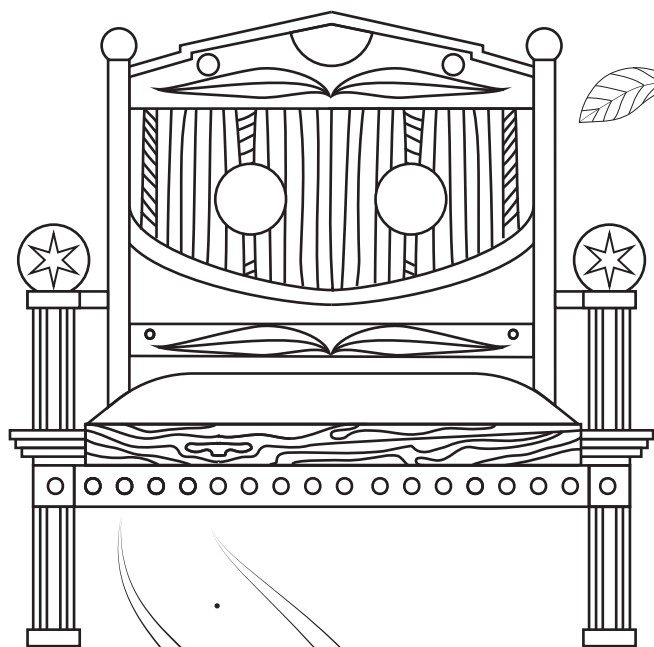


So he took me in the Spirit
to a great, high mountain,
and he showed me the holy city,
JERUSALEM,
descending out of heaven from God.
It shone with the glory of God
and sparkled like a precious stone—
like jasper as clear as crystal.
The wall of the city was built
on foundation stones
inlaid with twelve precious stones:
the first was **jasper**,
the second **sapphire**,
the third **agate**,
the fourth **emerald**,
the fifth **onyx**,
the sixth **carnelian**,
the seventh **chrysolite**,
the eighth **beryl**,
the ninth **topaz**,
the tenth **chrysoprase**,
the eleventh **jacinth**,
the twelfth **amethyst**.

Revelation 21:10-11, 19-20 (NLT)

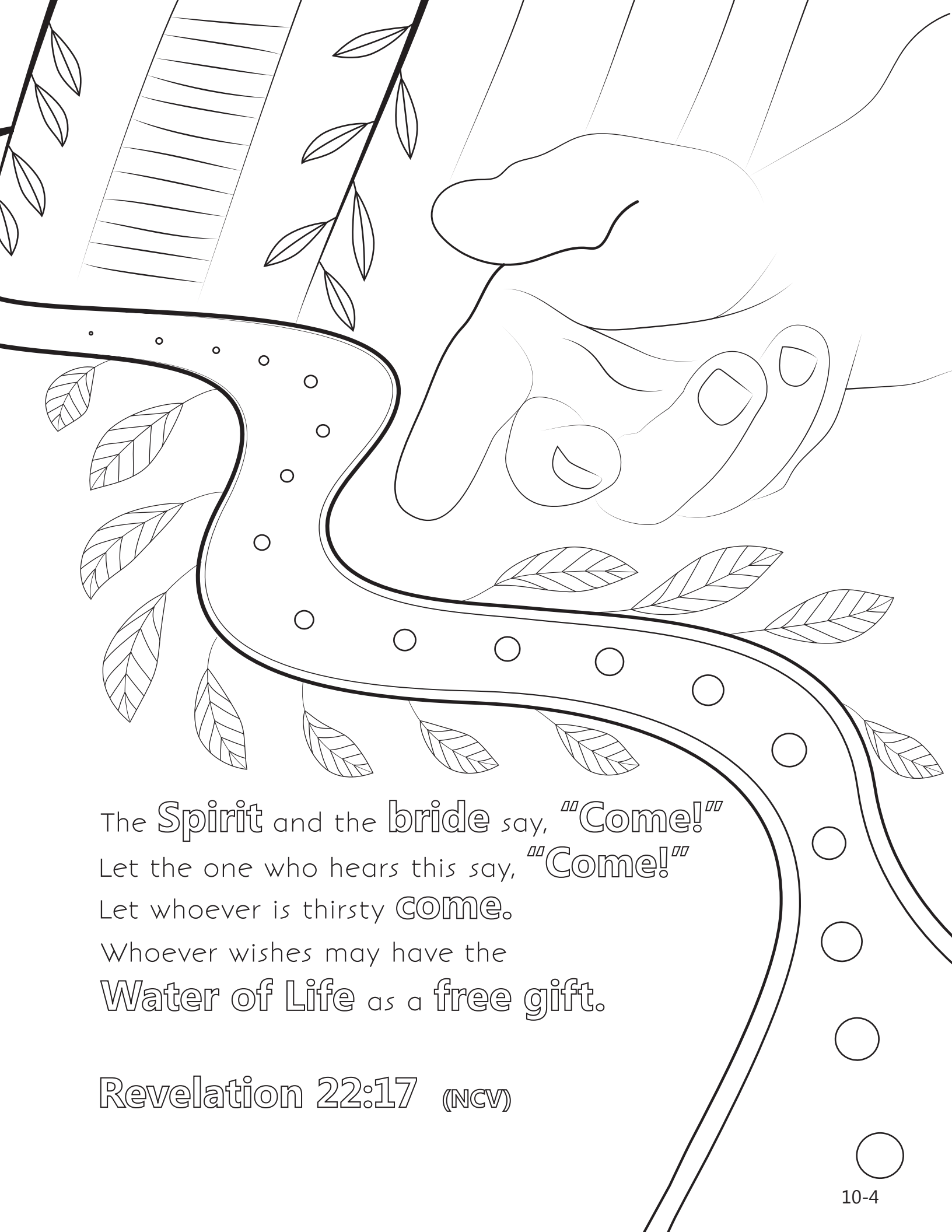




Then the angel showed me a river with the water of life, clear as crystal, FLOWING FROM THE THRONE of God and of the Lamb.

It flowed down the center of the main street. ON EACH SIDE OF THE RIVER GREW A TREE OF LIFE, bearing twelve crops of fruit, with a fresh crop each month. The leaves were used for medicine TO HEAL THE NATIONS.

Revelation 22:1-2 (NLT)



The Spirit and the bride say, "Come!"
Let the one who hears this say, "Come!"
Let whoever is thirsty come.
Whoever wishes may have the
Water of Life as a free gift.

Revelation 22:17 (NCV)